

S&G[®] Alarm Interface

Safe Lock/Alarm Connectivity

Your Safe Lock has Valuable Information for your Alarm System

What's Up, Lock?

- Your safe lock knows when its blocking bolt is extended and retracted. Through its **B.P.I. (Bolt Position Indicator)** connections, it can share this information with your alarm system. The **B.P.I.** can even be used to shunt your safe's alarm circuit when the safe is unlocked by means of a valid code. Want to get more creative? The **B.P.I.** can be used to activate a video surveillance recorder to create a video record of safe openings, allowing you to actually see who opened your safe and when they opened it.
- **"Door loops"** use simple, one-wire circuits to connect to safe door contacts. The lock cannot lock unless the circuit is closed. This prevents employees from locking safe doors open either for convenience or more questionable purposes.
- **Duress** can be a life-saver. In situations where an authorized safe user is forced to open a safe (during a hold-up), it's possible to alert authorities without alerting the bad guy at the same time. Simply adding 1 to the last digit of a working lock code can send a duress notification to a connected central monitoring station. The safe opens normally, keeping the "silent signal" a secret from the perpetrator.



VdS Class C approved for use in intruder alarm systems.

- **Remote control?** Your safe lock can be prevented from operating when a low-voltage signal is sent to it. The enable/disable signal can come from a remote location, or it can come from something as simple as a safe-mounted key switch. Often, a disable signal is set to be removed when the building alarm panel is deactivated, reducing false alarms. The possibilities are as limitless as your imagination.
- **Tamper alerts** can reveal "insider" attempts to compromise your safe's security system. Door and boltwork cover switches can be monitored 24/7 by your connected central station, helping to keep your trusted employees trusted.
- Other lock features can be combined with these control and reporting options to deliver a secure, integrated system to meet your needs. Use the information on the other side of this sheet AND the advice of your security professional to pair the right lock with the optional module to produce a system that meets your needs.

S&G Electronic Safe Locks Meet a Wide Array of US and International Security Agency Specifications.



SARGENT AND GREENLEAF, and S&G, are some of the trademarks of Stanley Black and Decker or its affiliates.
UL and UL in a circle are trademarks of Underwriters Laboratories.
Patents Pending.

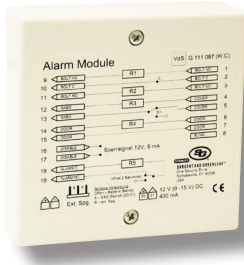
630-EUR Rev 3/23/2013
© 2013 Sargent & Greenleaf, Inc.



SARGENT AND GREENLEAF[®]

Alarm Interface Option for S&G Locks

The Module:

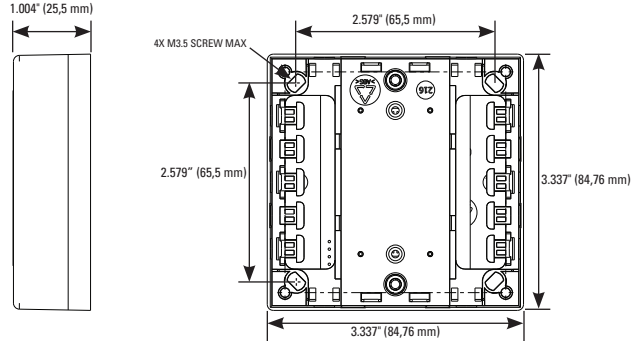


6102-025 Alarm Interface Module (Duress, Remote Disable, Tamper, Contact Monitoring)

Features remote disable (12 volt signal to the module disables lock function), duress (silent alarm), and tamper indication (module cover or any switch connected to the module). The module and the lock can be powered from the safe's alarm system or the lock's operating battery.

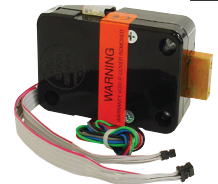
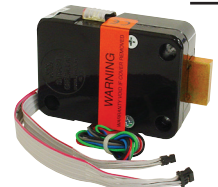
The Alarm Interface Module is a VdS Class C device for use in intruder alarm systems.

Approval Reference: G111087.



All locks shown in this table are **Underwriters Laboratories Listed Type 1**, the highest UL electronic rating available.

The Locks:



Lock Model	Distinguishing Feature	Total Codes	Duress Capability	Time Delay Override	Bolt Position Indicator	Door Loop	Compatible Alarm Module
6124	Automatic locking	10	Yes	Yes	order with BPI		6102-025
6125	Push/pull motorized bolt	10	Yes	Yes	order with BPI	Yes	6102-025
6126	Automatic locking Audit Lock	29	Yes		order with BPI	Yes	6102-025
6127	Push/pull motorized bolt Audit Lock	29	Yes		order with BPI	Yes	6102-025
6128	One-Time-Use ATM codes available	16	Yes		standard on A-SERIES	Yes	6102-025
6129	One-Time-Use ATM codes available	16	Yes		standard on A-SERIES	Yes	6102-025
2006	Titan Pivotbolt Automatic locking	10	Yes	Yes	order Titan BPI kit		6102-025
2007	Titan D-Drive (manual bolt retract)	10	Yes	Yes	order Titan BPI kit		6102-025

If one of the locks listed above is already used to secure the safe, a new lock will not be needed for the Alarm Interface Module connection.

www.sargentandgreenleaf.com

Corporate Headquarters: One Security Drive • Nicholasville, Kentucky 40356 • USA • Tel. 859-885-9411, Fax 859-887-2057

European Headquarters: 9, chemin du Crosset • 1024 Ecublens • Switzerland • Tel. 41 21 694 34 00, Fax 41 21 694 34 09



SARGENT AND GREENLEAF®